

ZipSpa®

Portable Pet Shower



Website: thezipspa.com

Email: info@thezipspa.com

STEP 1:

Remove top cover from unit.



STEP 2:

Attach four (4) extension legs to the base assembly.



STEP 3:

Attach shower rail to top of the four (4) extension legs.



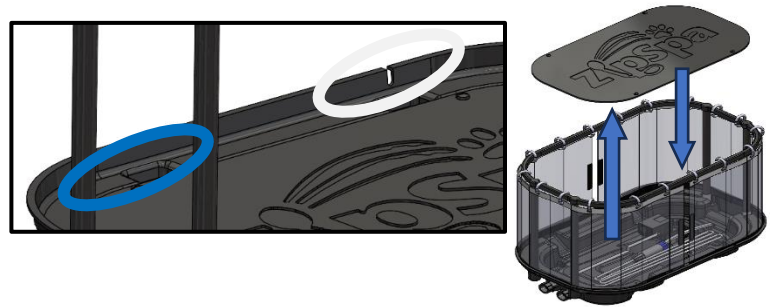
STEP 4:

Attach curtain to shower rail using 18 hooks.



STEP 5:

Route spray wand through four (4) pass-through sections; route power cord through two (2) slots on the side of unit; reattach the platform.



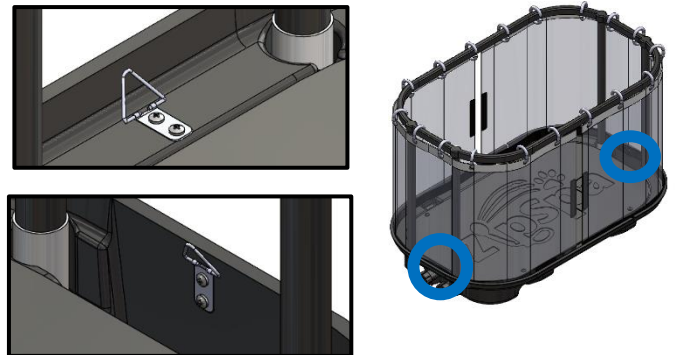
STEP 6:

Attach self-fastener on the bottom of the curtain to bottom of the inside of base.



STEP 7:

Use clips shown to attach tethering leash and align slot on curtain to tether ring.



STEP 8:

**Connect inlet hose for the water supply.
Connect outlet hose for water pump drainage.**

